

## USER'S MANUAL - *Magnetic compass for navigation RIVIERA type ZENITH 3 "*

Dear Customer,

in thanking you for your preference and trust in our products, we wish to inform you that this marine magnetic compass has been designed and built to perfection in the RIVIERA srl factory in Genoa.

After manual assembly, it was subjected to tests and quality controls in accordance with the requirements of the Italian shipping register, RINA. It is made with materials that have proven to guarantee its functioning aboard boats for many years.

**Keep this manual together with the on-board documents.**

### GENERAL FEATURES

**Apparent diameter 3 "(80 mm)**  
**Mounting: binnacle or flush**  
**Dial gradation 5 °**  
**Dial colors: black or blue**  
**Front or rear reading**  
**LED lighting 12V (24V on request), blue color as standard**  
**Anti-glare screen**  
**Internal gimbal suspension**  
**Built-in manual compensation**  
**3 years warranty**  
**100% repairable**  
**Weight: 0,720 Kgs approx.**

### CERTIFICATIONS

The MED Directive 2014/90 / EU (and its subsequent amendments) covers the main equipment and materials that are intended to be used on board seagoing (non-military) vessels.

The distinctive marking for these products is the "Wheelmark". The technical rules applicable to marine equipment come from three sources: the Convention for the Safety of Life at Sea (SOLAS), the Resolutions of the International Maritime Organization (IMO) and the European Standards (EN).

**The RIVIERA class B compasses of the ZENITH type (with the exception of the BZT model) have been certified in accordance with MED 2014/90 EU.**

**RIVIERA ZENITH: This Type of compasses is Certified as lifeboats and rescue boats equipment.** Any MED certificate for the single compass must be requested when ordering and cannot be issued after supply.

### INSTALLATION

The way to install a Riviera magnetic compass differs depending on the model. Please read the following carefully.

To install the purchased compass on board, in addition to the specific operations linked to the model and indicated in the attachment, keep in mind the following:

- 1) Choose the installation site so that it is as far away as possible from magnetic fields, or other moving ferrous masses.
- 2) Before connecting the two LED lighting wires to the on-board system, check the correspondence of the network voltage.
- 3) At the end of the installation, have the compensation of the RIVIERA compass performed by an authorized professional.

### BINNACLE MOUNT MODELS

According to the models, follow the instructions contained: only in Annex A for the assembly of models BZ3

### FLUSH MOUNT MODELS

For the models that must be mounted flush by cutting a boat wall (BZ1, BZ4 and BZT), refer to the on board mounting scheme contained in the box.



# USER'S MANUAL - *Magnetic compass for navigation RIVIERA type ZENITH 3 "*

## COMPENSATION & MAINTENANCE

Riviera compasses are calibrated for zone A. On request, when ordering, they can be calibrated for zone B or C.

After installation on board, compass compensation must be carried out by a professional authorized by the local Maritime Authority who will operate on the screws accessible through the lower transverse holes.

Clean the Riviera compass with a soft cloth moistened with fresh water.

## REPAIR

For the purposes of forfeiture of the warranty terms and for your safety, any repairs may be carried out only and exclusively by the manufacturer. In case of need, please contact RIVIERA Srl - [info@rivieragenova.com](mailto:info@rivieragenova.com)

## PACKAGING

The RIVIERA ZENITH compass is delivered in protective packaging suitable for international shipping

1 box dim.16 x16 x16 cm - Total weight Kgs. 1,700

## LIQUID

The liquid contained in the RIVIERA compasses is stable in the temperature range from -30 ° to + 60 ° C. In this range there should be no bubbles, this is guaranteed by an elastic membrane that compensates for volumetric variations. The liquid is Shell SolD / 70 (petroleum).



**ATTENTION: Never unscrew the filler plugs and screws for any reason. The only screws to adjust are those of the compensators (with a non-magnetic screwdriver). When the cut of the compensator screws is in the horizontal position the compensation is neutral, bringing the cut in the vertical position is maximum.**

## Certificate of Warranty



This document is valid as a guarantee certificate.

The company RIVIERA srl Genoa guarantees that its compasses are built in a workmanlike manner and that they are free from manufacturing and material defects.

If within 36 months from the date of manufacture (stamped on the flange) the product should show malfunctions, the company will repair or replace it, at its sole discretion, free of charge.

The warranty is void if the damage is caused by improper use, incorrect installation or accidental breakage.

The warranty does not cover any costs deriving from assembly or disassembly of the products, transport of the same and expenses for technical personnel, even if attributable to manufacturing defects.

In the event of a dispute, the competent court is the court of Genoa.

## ALLEGATO A (ATTACHMENT) - Istruzioni - (Instructions) BZ3

Seguire scrupolosamente le indicazioni seguenti:

1. Per sollevare la bussola dalla sua chiesuola allentare le viti laterali della calotta.
2. Togliere la calotta antiriflesso.
3. Svitare **solo le viti N°2 e N°5**. Per non danneggiare la bussola, le altre viti a croce non devono essere allentate per nessun motivo.
4. Estrarre la bussola dalla sua chiesuola.
5. Fissare la chiesuola all'imbarcazione utilizzando i 4 fori di fissaggio e le viti in dotazione.
6. Reinscrivere la bussola all'interno della chiesuola e fissarla tramite le viti N°2 e N°5.
7. **Attenzione: i due elementi a croce sono i supporti dei magneti di compensazione e NON devono essere mai toccati da persone inesperte.**

Strictly follow the instructions below:

1. To lift the compass from its binnacle, loosen the screws on the side of the hood.
2. Remove the anti-reflective hood.
3. Unscrew **only the screws N°2 and N°5**. In order not to damage the compass, the other Phillips screws must not be loosened for any reason.
4. Extract the compass from its binnacle.
5. Secure the binnacle to the boat using the 4 fixing holes and screws provided.
6. Reinsert the compass inside the binnacle and fix it with the screws N°2 and N°5.
7. **Attention: the two cross elements are the supports of the compensation magnets and must NEVER be touched by inexperienced people.**

Suivez strictement les instructions ci-dessous :

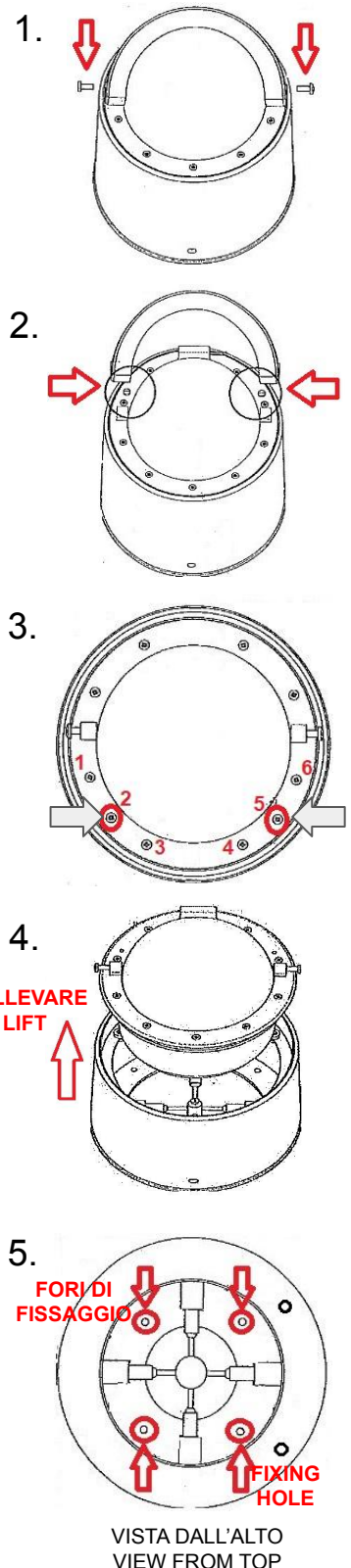
1. Pour soulever le compas de son habitacle, desserrez les vis sur le côté du capot.
2. Retirez le capot antireflet.
3. **Dévissez uniquement les vis N°2 et N°5**. Afin de ne pas endommager le compas, les autres vis cruciformes ne doivent en aucun cas être desserrées.
4. Extraire le compas de son habitacle.
5. Fixez l'habitacle au bateau à l'aide des 4 trous de fixation et des vis fournis.
6. Réinsérez le compas à l'intérieur de l'habitacle et fixez-la avec les vis N°2 et N°5.
7. **Attention : les deux éléments transversaux sont les supports des aimants de compensation et ne doivent JAMAIS être touchés par des professionnelles.**

Siga estrictamente las siguientes instrucciones:

1. Para levantar la brújula de su bitácora, afloje los tornillos en el lateral de la capota.
2. Retire la capota antirreflexante.
3. **Desatornille solo los tornillos N°2 y N°5**. Para no dañar la brújula, los otros tornillos Phillips no deben aflojarse por ningún motivo.
4. Extraer el casquillo de su bitácora.
5. Fije la bitácora a la embarcación utilizando los 4 orificios de fijación y los tornillos proporcionados.
6. Vuelva a insertar la brújula dentro de la bitácora y fíjelo con los tornillos N°2 y N°5.
7. **Atención: los dos elementos transversales son los soportes de los imanes de compensación y NUNCA deben ser tocados por personas inexpertas.**

Befolgen Sie strikt die folgenden Anweisungen:

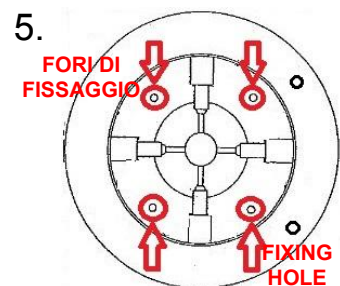
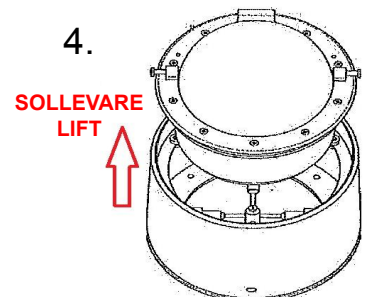
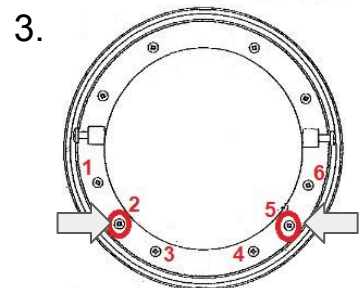
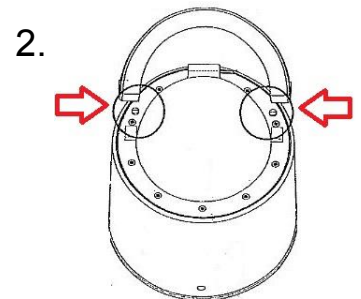
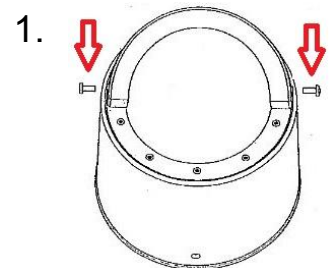
1. Um den Magnetkompass aus seiner Halterung zu heben, lösen Sie die Schrauben an der Seite der Haube
2. Entfernen Sie die Antireflexhaube
3. **Lösen Sie nur die schrauben N°2 und N°5**. Um den Magnetkompass nicht zu beschädigen, dürfen die anderen Kreuzschlitzschrauben keinesfalls gelöst werden.
4. Nehmen Sie den Magnetkompass aus seiner Hülle.
5. Befestigen Sie die Binnacle mit den 4 mitgelieferten Befestigungslöchern und Schrauben am Boot.
6. Setzen Sie die Buchse wieder in das Gehäuse ein und befestigen Sie sie mit den schrauben N°2 und N°5.
7. **Achtung: Die beiden Querelemente sind die Träger der Kompensationsmagnete und dürfen NIEMALS von unerfahrenen Personen berührt werden.**



## ALLEGATO A (ATTACHMENT) - Istruzioni - (Instructions) BZ3

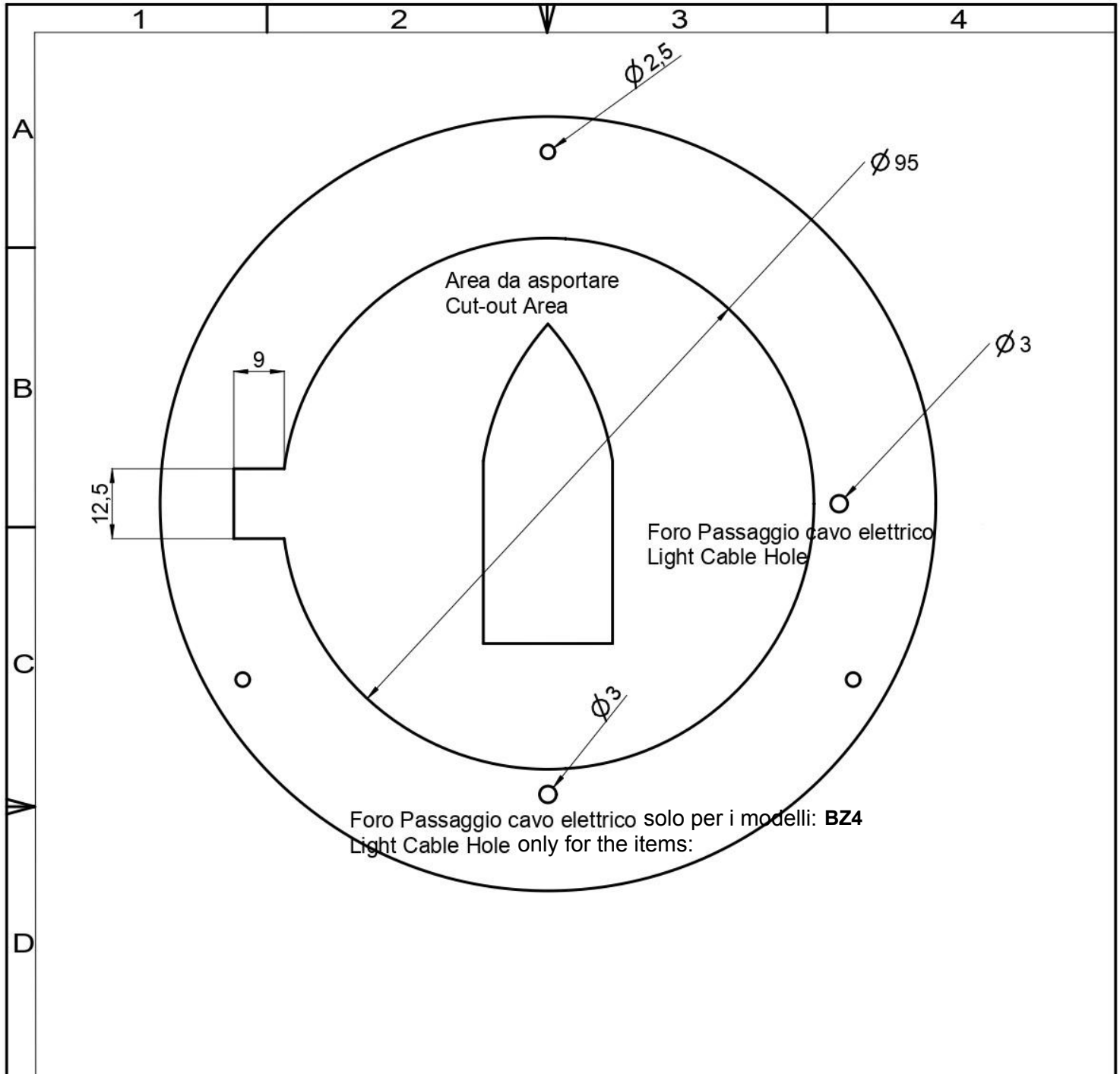
Строго следуйте приведенным ниже инструкциям:

1. Чтобы снять магнитный компас с нактоуза, ослабьте винты сбоку бленды.
2. Снимите антибликовый колпак.
3. **Отвинтите только винты N°2 и N°5.** Чтобы не повредить втулку, другие винты Phillips не должны быть распушен по любой причине.
4. Достаньте магнитный компас из футляра.
5. Прикрепите нактоуз к лодке с помощью 4 крепежных отверстий и винтов, входящих в комплект.
6. Вставьте втулку обратно в корпус и закрепите ее винтами № 2 и № 5.
7. **Внимание: два поперечных элемента являются опорами компенсационных магнитов и НИКОГДА не должны прикасаться к ним неопытными людьми.**



VISTA DALL'ALTO  
VIEW FROM TOP

**SCHEMA DI FORATURA (ON BOARD MOUNTING SCHEME)**  
**tipo ZENITH BZ1 (Con Cover) - BZ4**



## SCHEMA DI FORATURA (ON BOARD MOUNTING SCHEME) tipo ZENITH BZ1 (Senza Cover) - BZT

