

## USER'S MANUAL - Magnetic compass for navigation RIVIERA type ARTICA 2"¾

Dear Customer,

in thanking you for your preference and trust in our products, we wish to inform you that this marine magnetic compass has been designed and built to perfection in the RIVIERA srl factory in Genoa.

After manual assembly, it was subjected to tests and quality controls in accordance with the requirements of the Italian shipping register, RINA. It is made with materials that have proven to guarantee its functioning aboard boats for many years.

**Keep this manual together with the on-board documents**

### GENERAL FEATURES

**Apparent diameter 2"¾ (70 mm)**  
**Mounting: binnacle, flush, bracket**  
**Dial gradation 5°**  
**Dial colors: black or blue**  
**Front or rear reading**  
**LED lighting 12V (24V on request), blue color as standard**  
**Anti-glare screen**  
**Internal gimbal suspension**  
**Built-in manual compensation**  
**3 years warranty**  
**100% repairable**

### CERTIFICATIONS

The MED Directive 2014/90 / EU (and its subsequent amendments) covers the main equipment and materials that are intended to be used on board seagoing (non-military) vessels.

The distinctive marking for these products is the "Wheelmark". The technical rules applicable to marine equipment come from three sources: the Convention for the Safety of Life at Sea (SOLAS), the Resolutions of the International Maritime Organization (IMO) and the European Standards (EN).

**The RIVIERA class B compasses of the ARTICA type have been certified in accordance with MED 2014/90 EU.**

**RIVIERA ARTICA: This Type of compasses is Certified as lifeboats and rescue boats equipment.** Any MED certificate for the single compass must be requested when ordering and cannot be issued after supply.

### INSTALLATION

The way to install a Riviera magnetic compass differs depending on the model. Please read the following carefully.

To install the purchased compass on board, in addition to the specific operations linked to the model and indicated in the attachment, keep in mind the following:

- 1) Choose the installation site so that it is as far away as possible from magnetic fields, or other moving ferrous masses.
- 2) Before connecting the two LED lighting wires to the on-board system, check the correspondence of the network voltage.
- 3) At the end of the installation, have the compensation of the RIVIERA compass performed by an authorized professional.

### BINNACLE MOUNT MODELS

Place the compass on the installation surface and drill in correspondence with the holes provided on the binnacle.

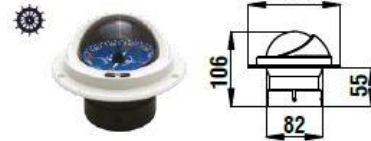
### FLUSH MOUNT MODELS

For the models that must be mounted flush by cutting a boat wall (BA1-2022 and BA1), refer to the on board mounting scheme contained in the box.

#### BA1-2022



#### BA1



#### BA1-2022



#### BA1



#### BA2



#### BA2



#### BA3



#### BA3



# USER'S MANUAL - *Magnetic compass for navigation RIVIERA type ARTICA 2"¾*

## COMPENSATION & MAINTENANCE

Riviera compasses are calibrated for zone A. On request, when ordering, they can be calibrated for zone B or C.

After installation on board, compass compensation must be carried out by a professional authorized by the local Maritime Authority who will operate on the screws accessible through the lower transverse holes.

Clean the Riviera compass with a soft cloth moistened with fresh water.

## REPAIR

For the purposes of forfeiture of the warranty terms and for your safety, any repairs may be carried out only and exclusively by the manufacturer. In case of need, please contact RIVIERA Srl - [info@rivieragenova.com](mailto:info@rivieragenova.com)

## PACKAGING

The RIVIERA ARTICA compass is delivered in protective packaging suitable for international shipping

1 box dim.16x16x16 cm total weight Kgs. 0,550

## LIQUID

The liquid contained in the RIVIERA compasses is stable in the temperature range from -30 ° to + 60 ° C. In this range there should be no bubbles, this is guaranteed by an elastic membrane that compensates for volumetric variations. The liquid is Shell SolD / 70 (petroleum).



**ATTENTION: Never unscrew the filler plugs and screws for any reason. The only screws to adjust are those of the compensators (with a non-magnetic screwdriver). When the cut of the compensator screws is in the horizontal position the compensation is neutral, bringing the cut in the vertical position is maximum.**

## Certificate of Warranty



This document is valid as a guarantee certificate.

The company RIVIERA srl Genoa guarantees that its compasses are built in a workmanlike manner and that they are free from manufacturing and material defects.

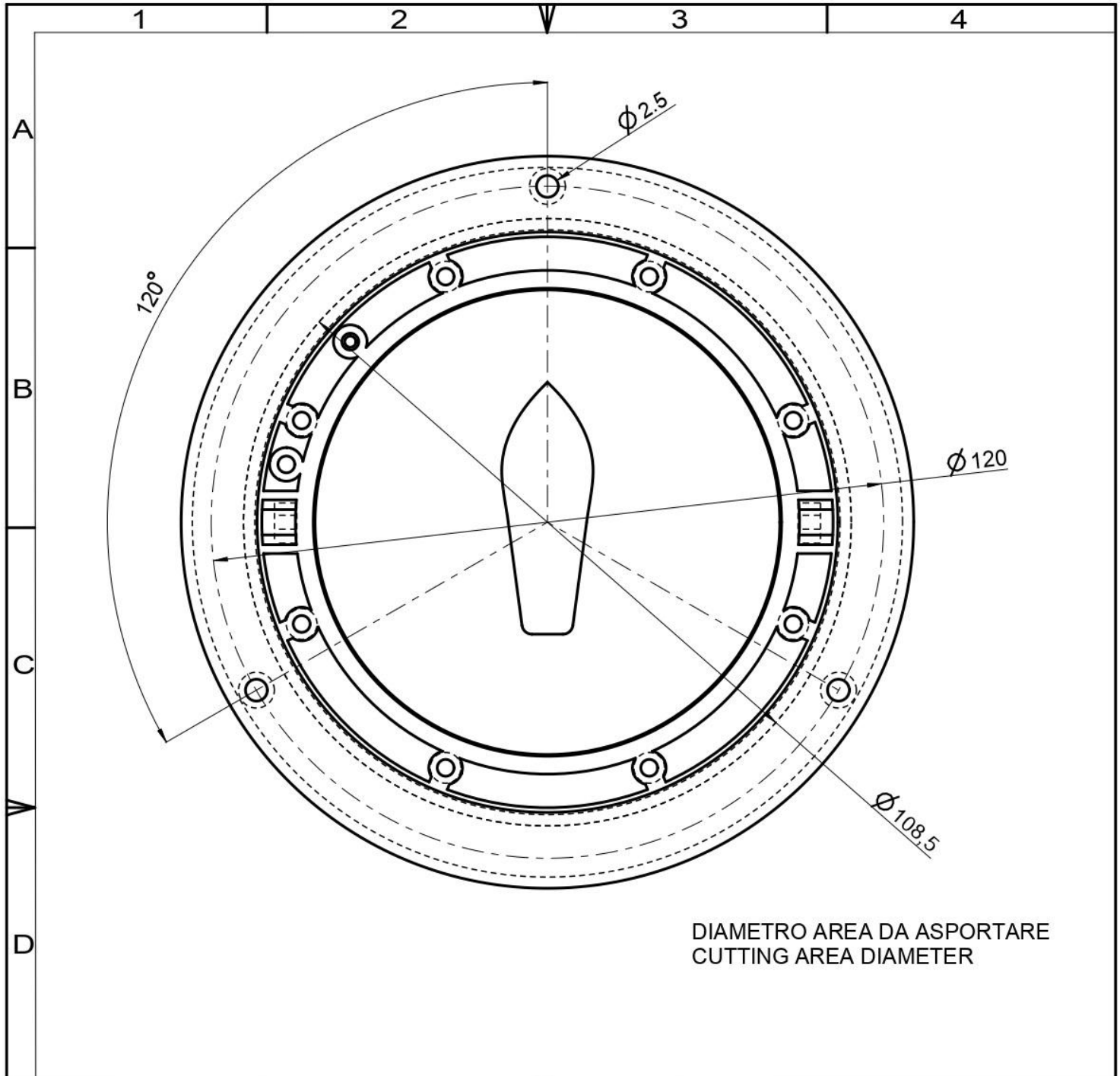
If within 36 months from the date of manufacture (stamped on the flange) the product should show malfunctions, the company will repair or replace it, at its sole discretion, free of charge.

The warranty is void if the damage is caused by improper use, incorrect installation or accidental breakage.

The warranty does not cover any costs deriving from assembly or disassembly of the products, transport of the same and expenses for technical personnel, even if attributable to manufacturing defects.

In the event of a dispute, the competent court is the court of Genoa.

## SCHEMA DI FORATURA (ON BOARD MOUNTING SCHEME) tipo ARTICA BA1



## SCHEMA DI FORATURA (ON BOARD MOUNTING SCHEME) tipo ARTICA BA1-2022

